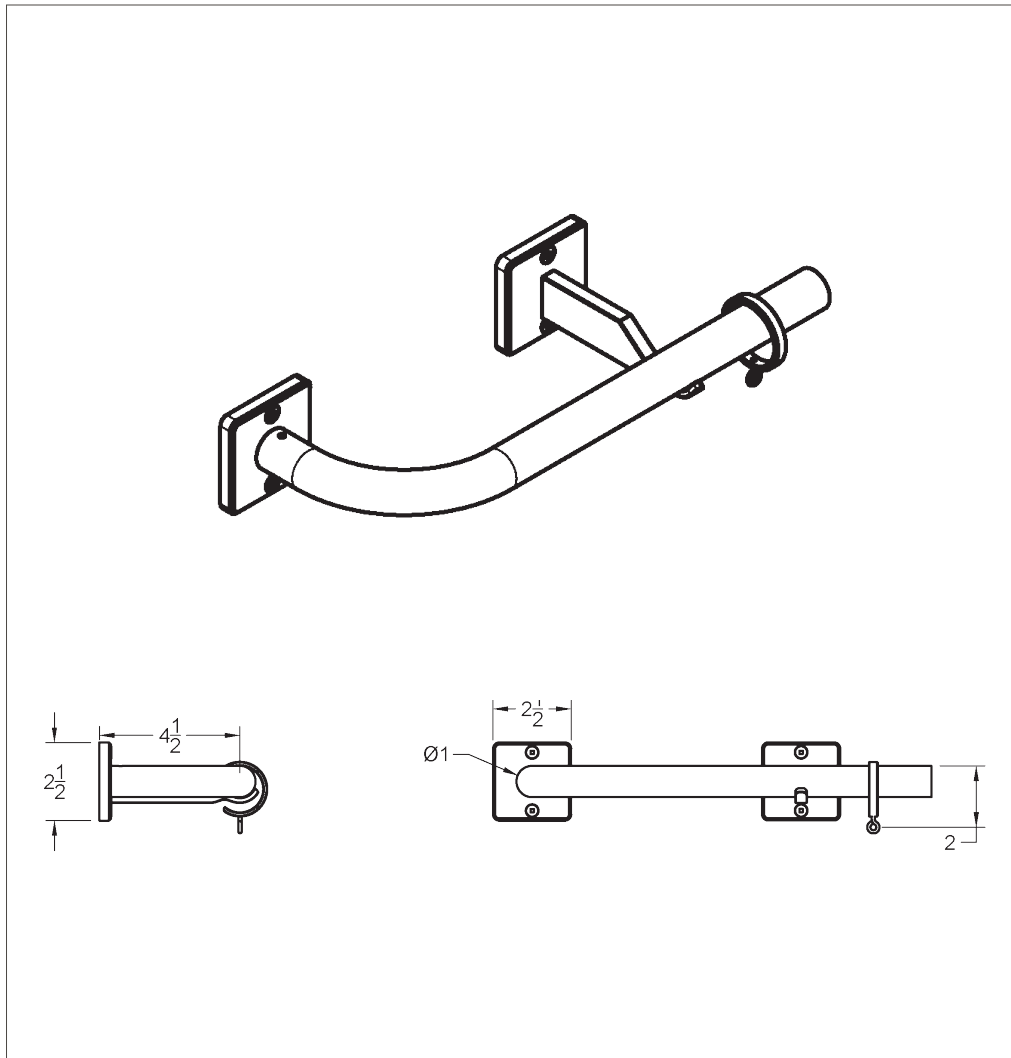


M2C

High Line Collection

French Return



Dimensions: 1" diameter pole

*Compatible with any of the four standard backplate options:

- Square
- Rectangle
- Oblong
- Round.

*drawing shown with square backplate

- Includes mounting hardware for both hollow wall (sheetrock) and stud installations, for concrete please inquire.
- Hidden 1/4" adjustment glide allows for minor installation adjustments.
- Custom projections and double rod installs available.

Make the High Line Hardware your own!

- Crafted to project specifications
- Handcrafted of Solid Steel
- Signature Plated Finishes
- Outdoor Option Available - please inquire